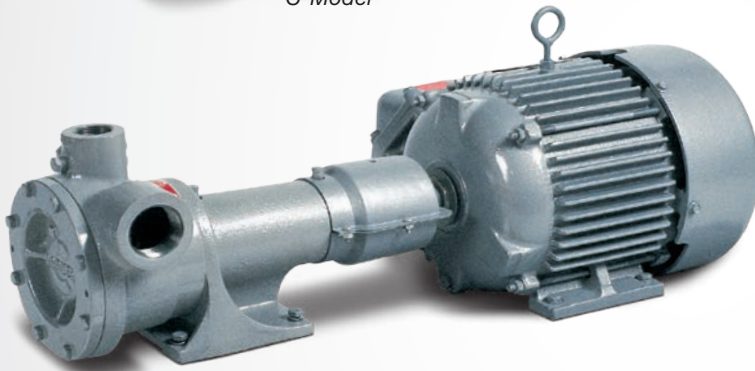


Turbine Pumps

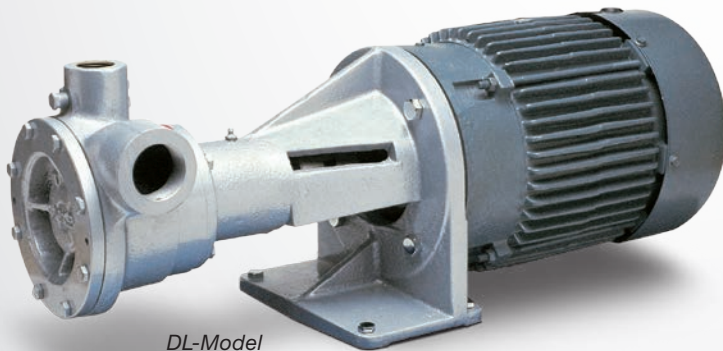
Models 16 and 17 Coro-Flo® Regenerative Turbine Pumps
For High Differential Pressure Applications Using
LPG and Many Other Liquefied Gases



C-Model



F-Model



DL-Model



Autogas Dispensing



Forklift Refueling



Cylinder Filling

Solutions beyond products...

CORKEN®

A Unit of IDEX Corporation

Features and Specifications

Smooth, quiet design...

Models 16 and 17 Coro-Flo® turbine pumps are designed for LPG, NH₃, and other light liquids and are ideal for low-capacity, high-head pumping applications. Since the impeller is the only moving part, the Coro-Flo® is extremely quiet and free of vibration and pulsation. Additionally, the impeller is free-floating so there is no contact with the pump case or head. This design feature offers smooth continuous flow and years of trouble-free service.

Simple to service...

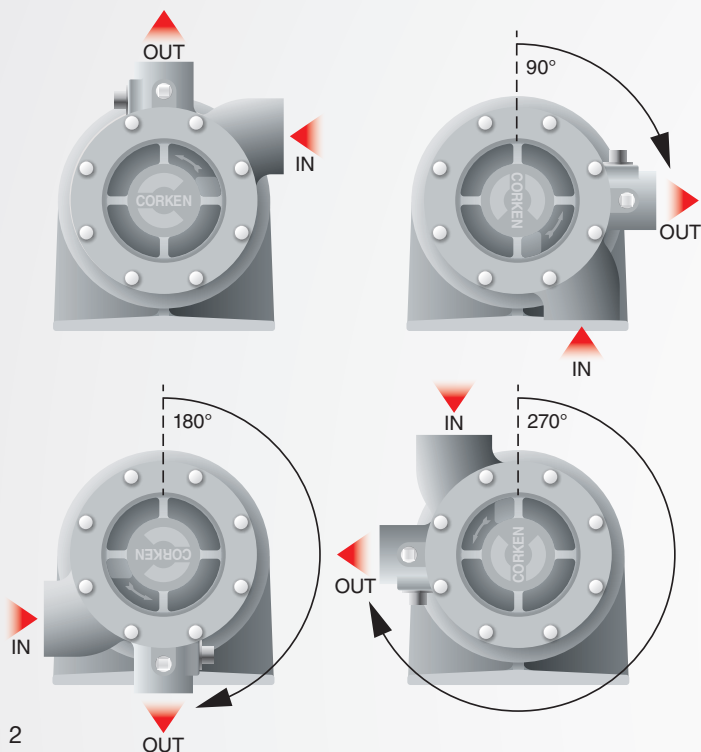
The Coro-Flo® is designed for simplicity of inspection and service. With just the cover removed, the impeller and seal can be serviced without disturbing the piping system. The balanced mechanical seal comes with its own sleeve; together they provide extremely reliable service.

Suitable for many applications...

All Coro-Flo® turbine pumps are listed by Underwriters' Laboratories, Inc. for use in LP-Gas and anhydrous ammonia service. Although the Coro-Flo® was originally developed to fill propane cylinders, its highly versatile design found its way into many other liquefied gases such as NH₃, CO₂, SO₂, and refrigerants. Other applications include autogas dispensing, forklift refueling, vaporizer feed, aerosol filling systems, boiler feed, and moving condensate.

Nozzle Rotation...

The pump nozzles may be rotated into four different positions, 90 degrees apart, if desired.



Approximately 20% more flow than major competitors...

Typical Applications

- Autogas Dispensing
- Cylinder Filling
- Forklift Refueling
- Vaporizer Feed
- Aerosol Propellant

For Thin Liquids and Liquefied Gases

- Propane
- Butane
- Ammonia
- Refrigerants
- Sulfur Dioxide
- Carbon Dioxide
- Gasoline
- Solvents
- Propylene
- Pentane
- Foam Blowing Agents

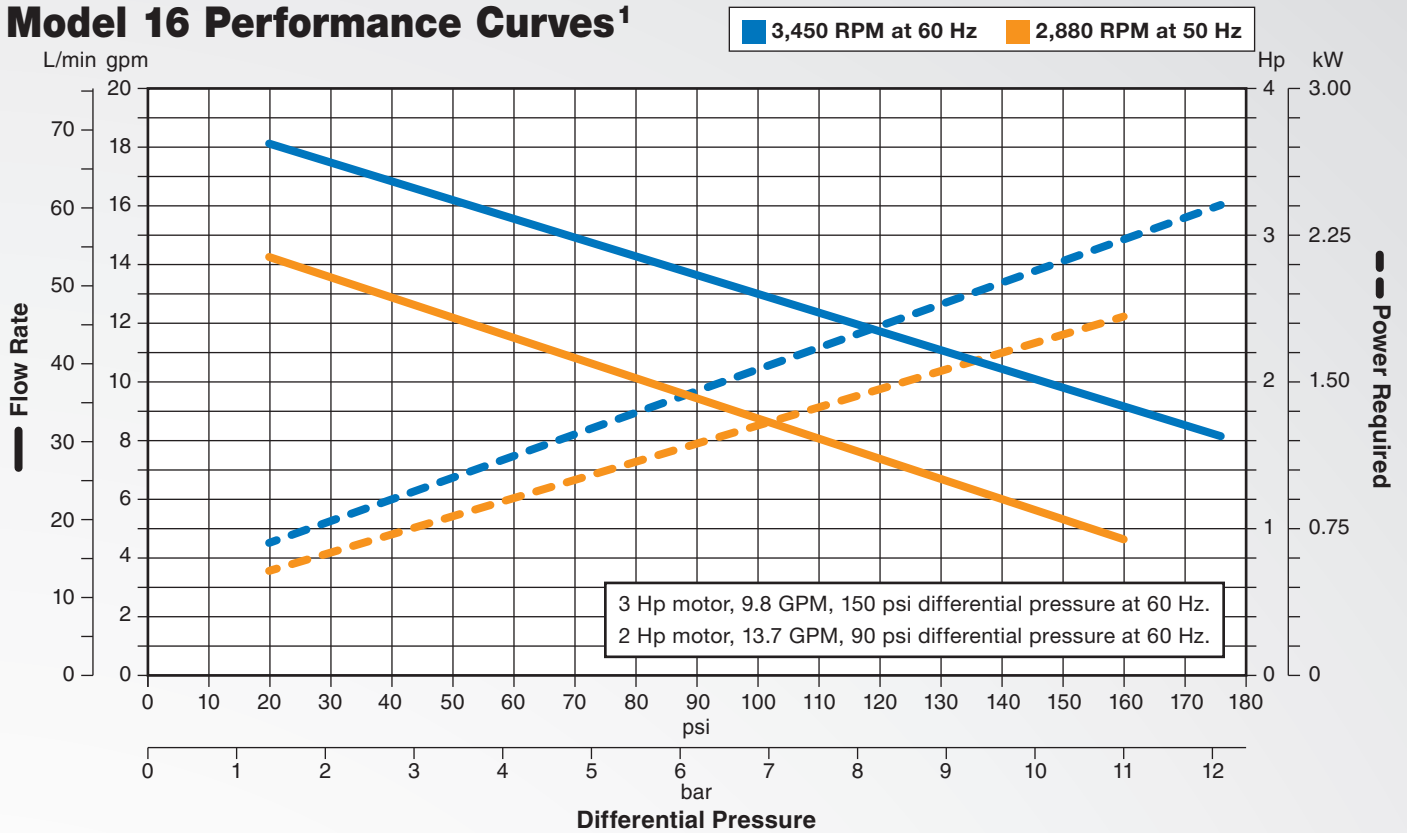
Specifications

Specifications	Models 16 and 17
Inlet	1-1/4" NPT
	1-1/2" ANSI 300 lb. (optional)
Outlet	1" NPT
	1" ANSI 300 lb. (optional)
Rotation	Clockwise only (from driven end)
Maximum RPM	3,600
Maximum working pressure	400 psig (27.6 Bar)
Maximum differential pressure	200 psig (13.8 Bar)
Temperature range °F (°C)	-25 to +225 (-32 to +107)
Maximum viscosity	400 ssu
Case/Cover	Ductile iron ASTM A-536
Impeller material options	Bronze (standard), 303 stainless steel, ductile iron
Shaft material options	Stressproof steel (standard), 416 stainless steel
O-ring material options	Buna-N standard. Ethylene-propylene, Kalrez ^{®1} , Neoprene ^{®1} , PTFE, and Viton ^{®1} optional.
Seal sleeve material options	Aluminum (standard), 416 stainless steel
Seal seat material	Silicon carbide
Seal housing material options	Cadmium plated steel (standard), 416 stainless steel

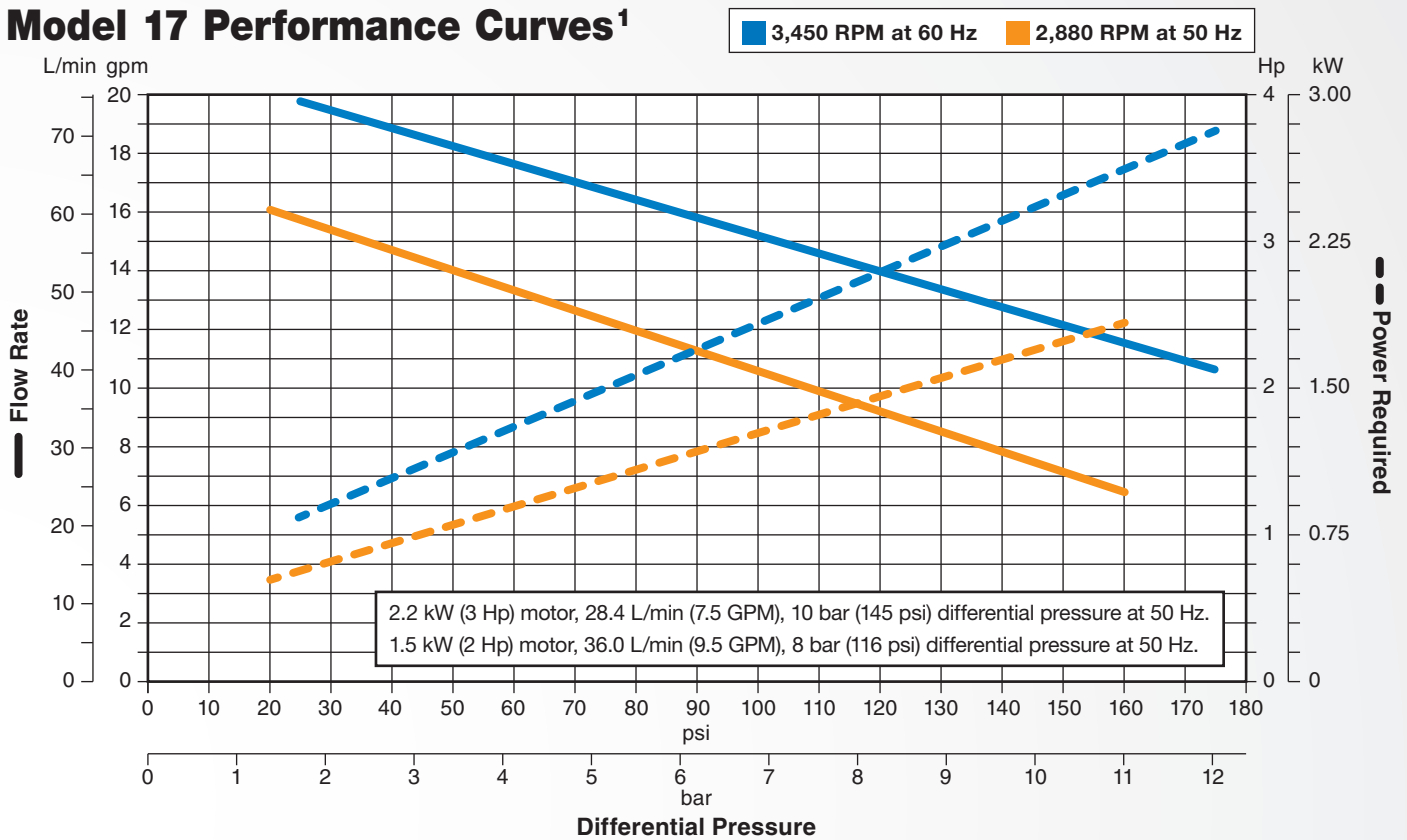
¹ Registered trademark of the DuPont Company.

Performance

Model 16 Performance Curves¹

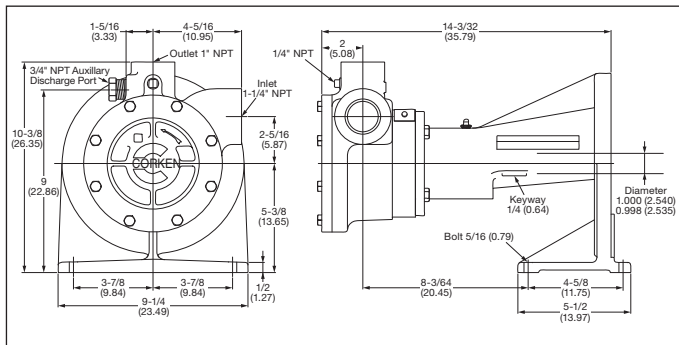


Model 17 Performance Curves¹

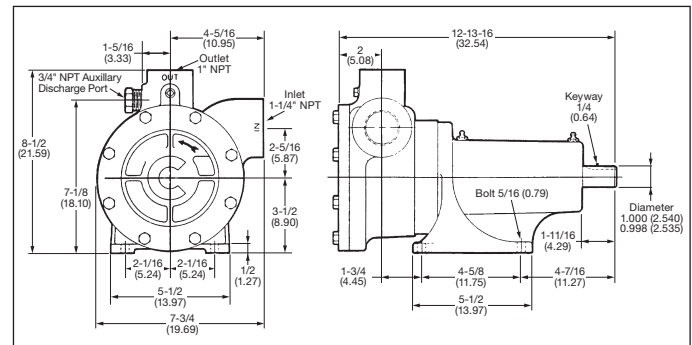


¹ Curves shown are based on 100% propane from an above ground installation.

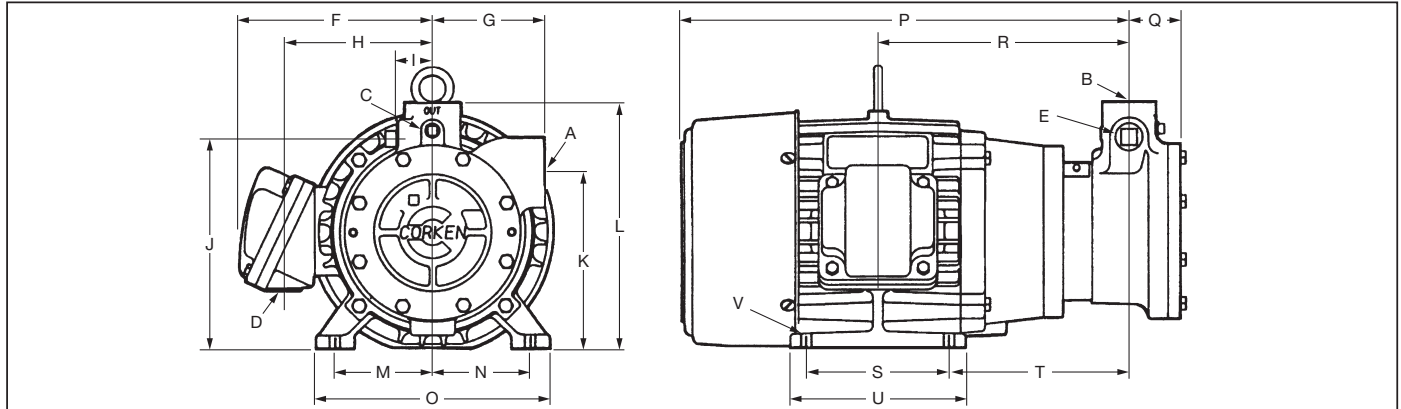
D-Model (Direct Mount)¹



F-Model (Frame Mount)¹

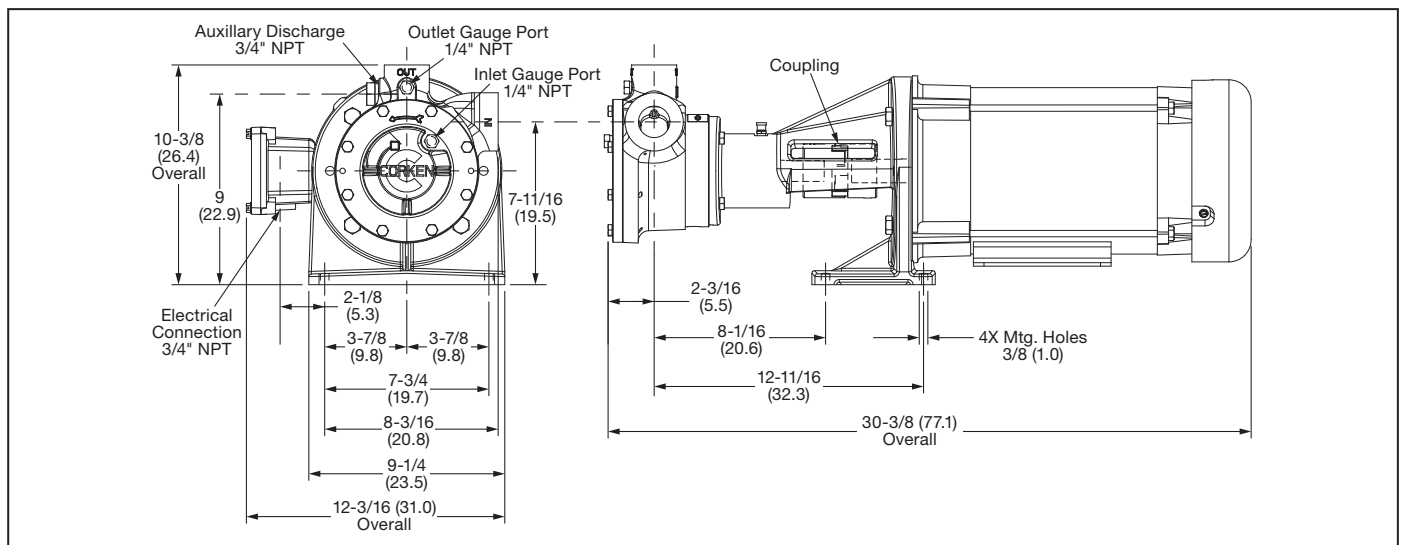


C-Model (Close-Coupled) with 3 Hp, Single and Three Phase Motor¹



Motor Phase	A	B	C	D	E	F	G	H	I	J	K	L	M	N	O	P	Q	R	S	T	U	V
Single	Inlet: 1-1/4" NPT	Outlet: 1" NPT	1/4 (0.64) NPT	3/4 (1.91) NPT	3/4 (1.91) NPT	7-1/2 (19.05)	4-5/16 (10.95)	6 (15.24)	1-5/16 (3.33)	8-1/8 (20.64)	6-13/16 (17.30)	9-1/2 (24.13)	3-3/4 (9.52)	3-3/4 (9.52)	8-5/8 (21.91)	19-13/16 (50.32)	2 (5.08)	13-15/16 (35.40)	4-1/2 (11.43)	7-1/16 (19.94)	6-5/8 (16.83)	Bolt: 7/16 (1.11)
Three	Inlet: 1-1/4" NPT	Outlet: 1" NPT	1/4 (0.64) NPT	3/4 (1.91) NPT	3/4 (1.91) NPT	10-1/2 (26.67)	4-5/16 (10.95)	7-1/8 (18.10)	1-5/16 (3.33)	8-1/8 (20.64)	6-13/16 (17.30)	9-1/2 (24.13)	3-3/4 (9.52)	3-3/4 (9.52)	8-7/8 (22.54)	17-1/4 (43.80)	2 (5.08)	10-3/4 (27.31)	4-1/2 (11.43)	6-5/8 (16.83)	6-5/8 (16.83)	Bolt: 7/16 (1.11)

D-Model (Direct Mount) with 3 Hp, Single Phase Motor¹



¹ All dimensions in inches (centimeters)

Solutions beyond products...

CORKEN

CF100

CORKEN, INC. • A Unit of IDEX Corporation
3805 N.W. 36th St., Oklahoma City, OK 73112 U.S.A.
Phone (405) 946-5576 • FAX (405) 948-7343

Visit our website at <http://www.corken.com> • E-mail us at ccsalesdept@idexcorp.com



PRINTED IN THE USA
APRIL 2017